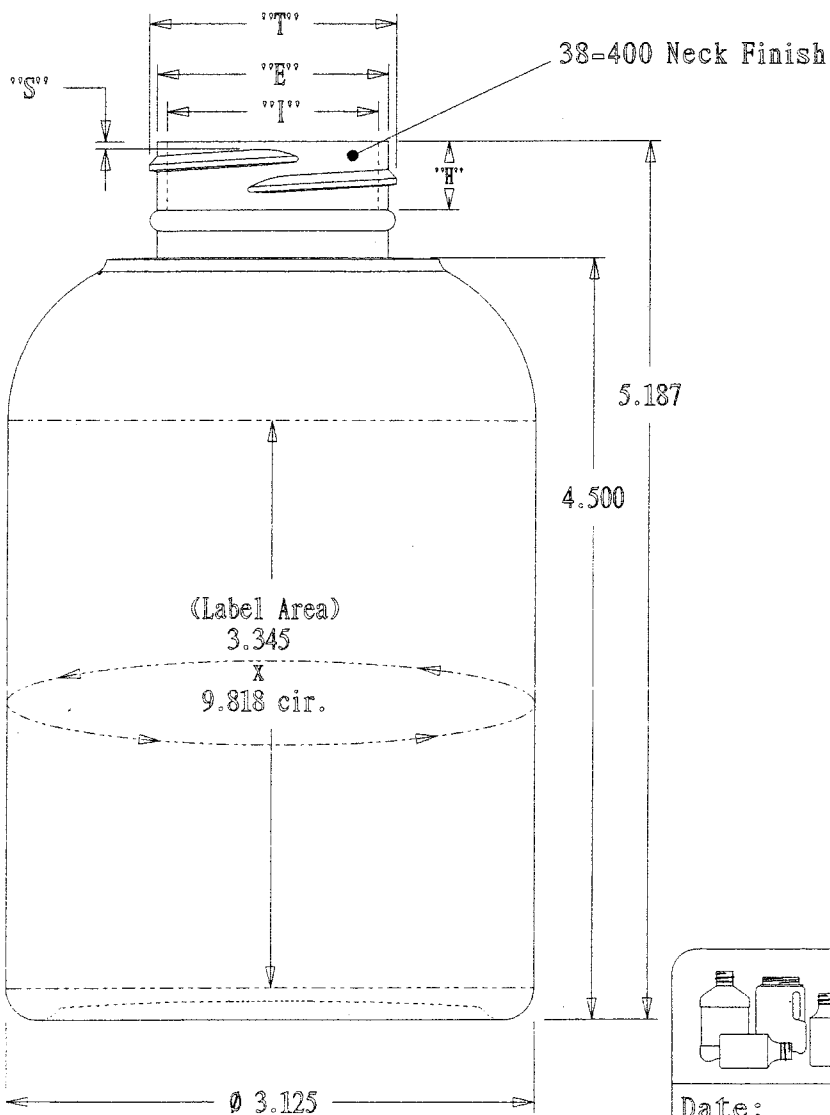
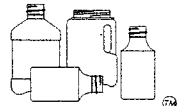


T = 1.452 / 1.476
 E = 1.358 / 1.382
 H = 0.388 / 0.418
 S = 0.031 / 0.061
 I = 0.987 Min.
 6 Thd per inch



		R. N. FINK MFG. CO. WILLIAMSTON, MI 48895	
Date:	Nov. 3, 11	Scale	= None
Weight:	36 Grams	Drawn by:	R. Scott
Part Name:	16 oz Packer Round 38/400 Neck Finish		