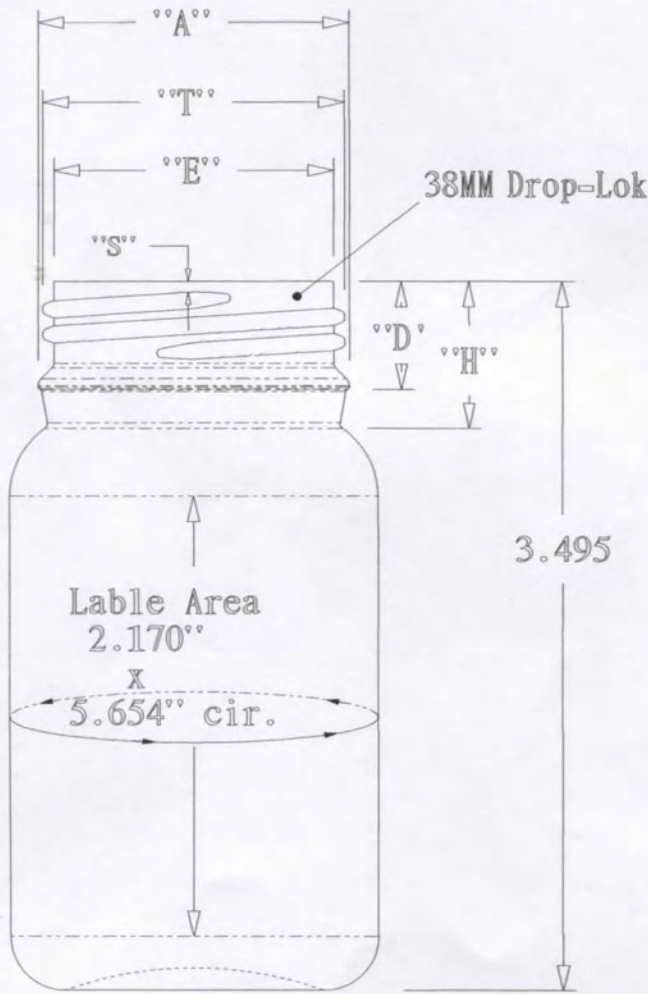


"A" = 1.520 \pm .012
 "T" = 1.459 \pm .012
 "E" = 1.363 \pm .012
 "D" = 0.530 \pm .010
 "S" = 0.050 \pm .015
 "H" = 0.730 \pm .012
 8-TPI



R. N. FINK MFG. CO.
 Williamston, Mi. 48895
 517-655-4351

Overflow:	Date: Aug 30, 2013	DoNot Scale Drawing Drawn By: R. Scott
Weight:	Part Name: Packer 100ml 38mm Drop-Lok	