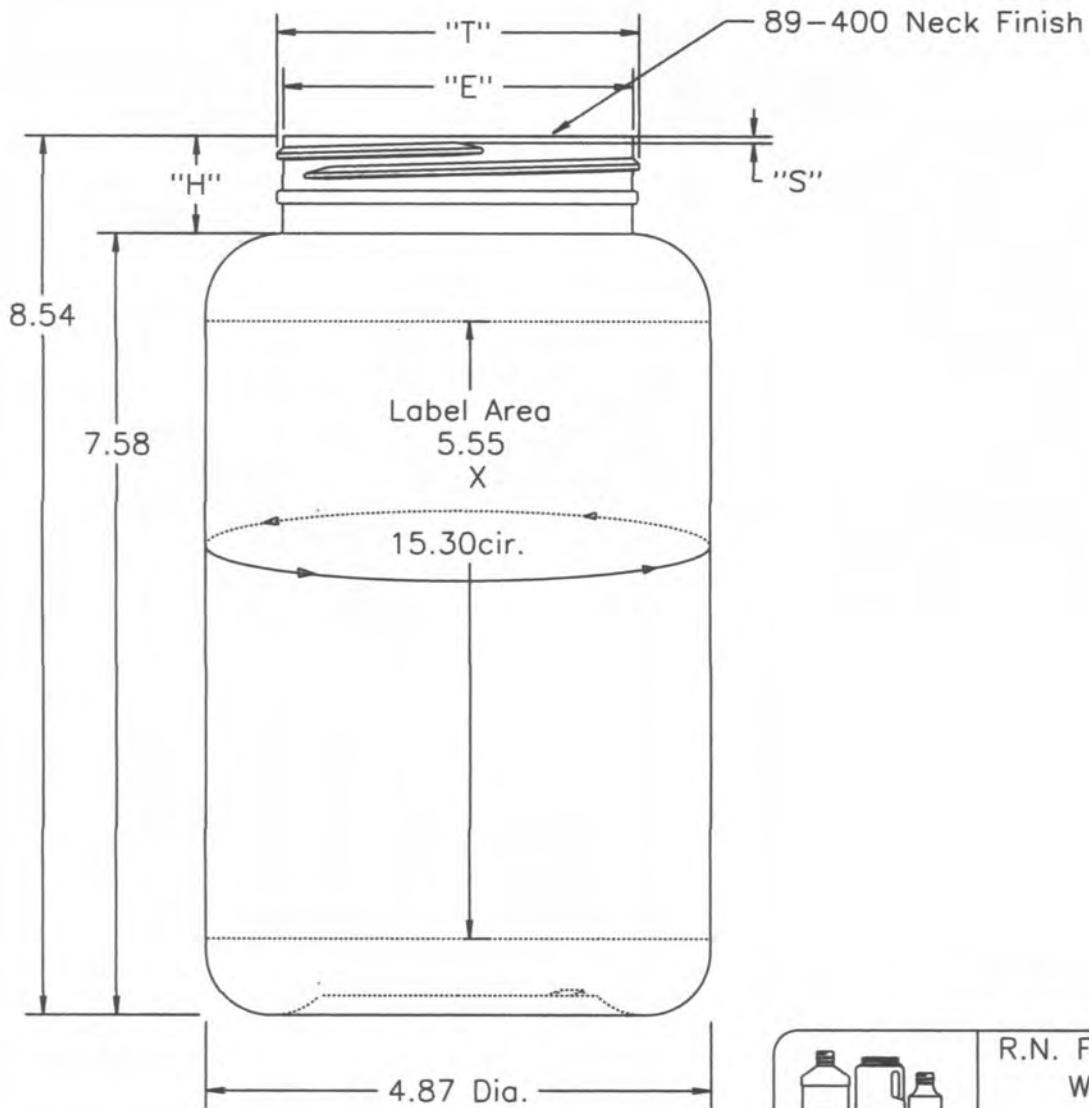



"T" = 3.476 / 3.511
 "E" = 3.356 / 3.391
 "H" = 0.935 / 0.965
 "S" = 0.045 / 0.075
 "5" T.P.I.



		R.N. FINK MFG. CO. Williamston, Mi 48895	
Date:	12/04/2018	DO NOT SCALE	
Weight:	Grams	Drawn By: R.Scott	
Part Name: 2 Liter Packer 89-400 Neck Finish			