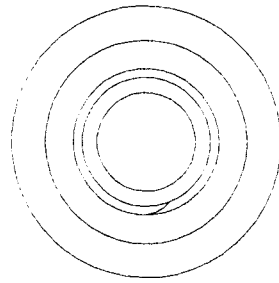
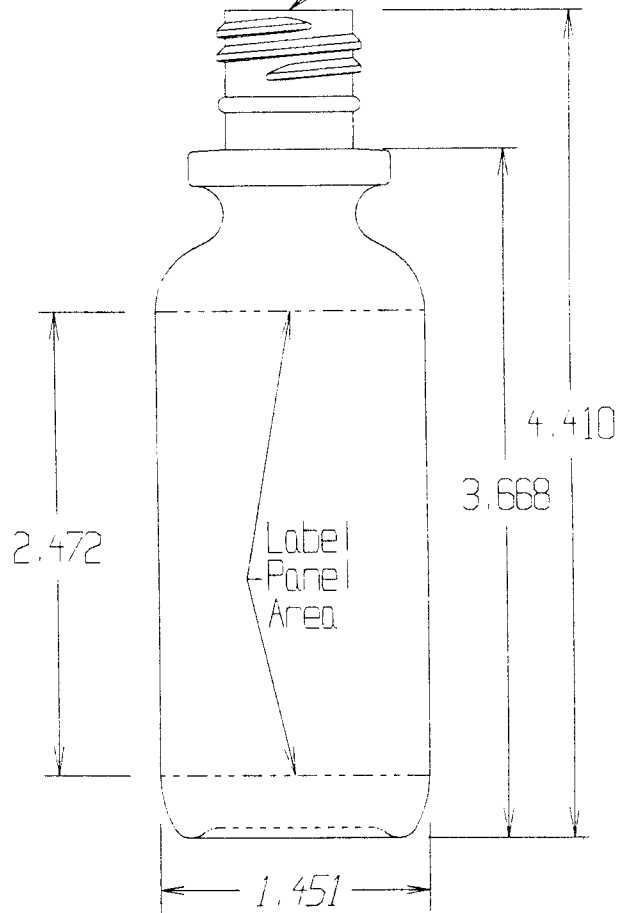


X
Y



20/415 Neck Finish



Label Area 2H X 4.55

	A. N. FINK MFG. CO. Williamston, Mi. 48895 517-655-4351	
	Date: Mar 12, 02	Scale 1:1 Drawn By: SP
Part Name 70ML Tincture Round		